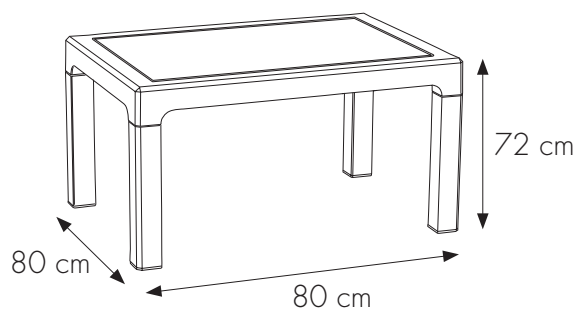




## ORLANDO



### PRODUCT

Art.	58
Net weight (kg)	5,2
Dim. cm (WxDxH)	80x80x72

### PACKING

Pcs	1 x filmPE
Gross Net weight (kg)	5,3
Dim. cm (WxDxH)	80x80x9

### PALLET

Pcs	40
Gross weight (kg)	236
Dim. cm (WxDxH)	120x80x227 (2,18 m <sup>3</sup> )

### TRANSPORT

Plt/truck	33
Pcs/truck	1.320
Cnt 40'HC	1.390

○ White  
80 03723 00058 8

● Brown  
80 03723 30058 9

● Grey  
80 03723 40058 6